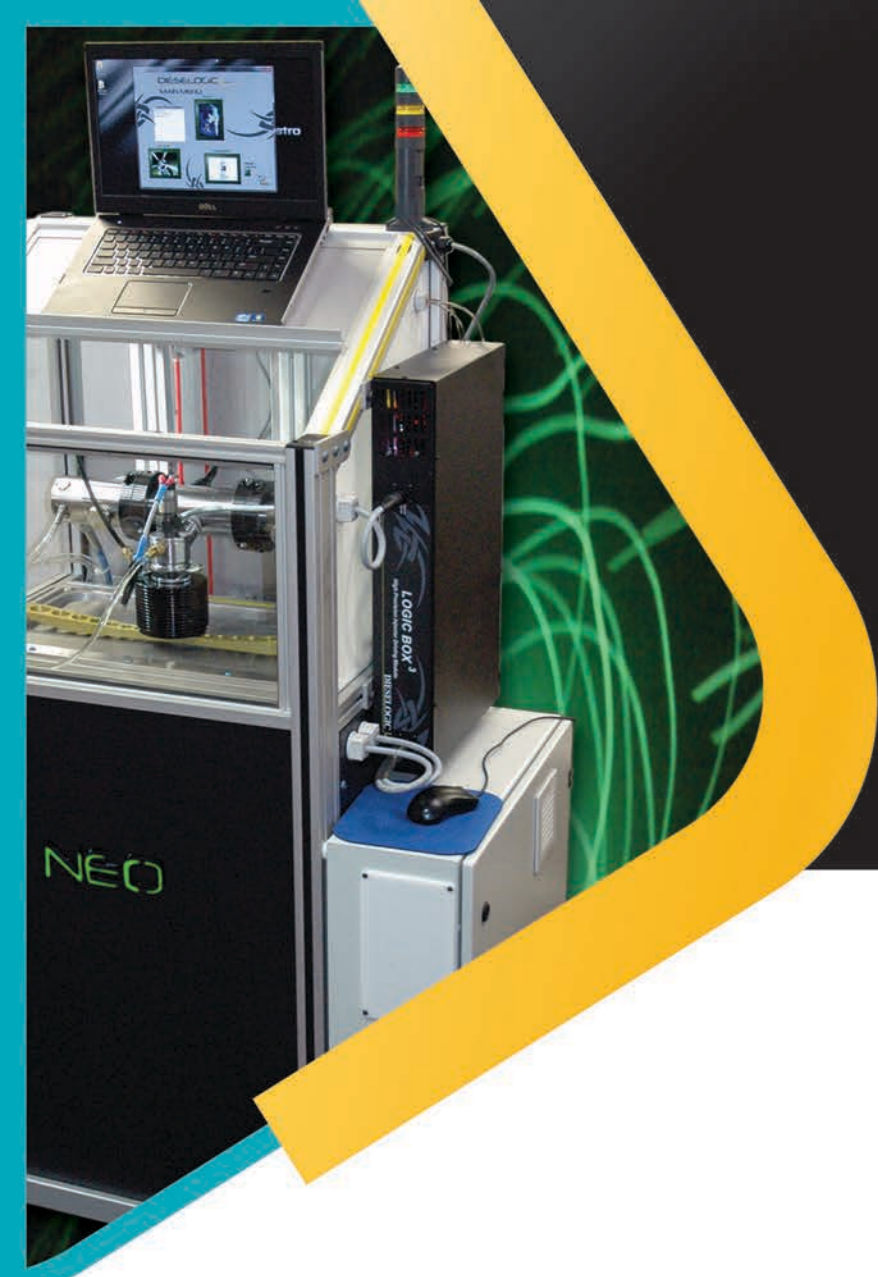


# Remanufacturing Diesel Fuel Injection Systems

AND TEST EQUIPMENT DESIGN



**DIESEL**LOGIC  .com

Our relational database management system develops customer and partner commitments, streamlines operations and achieves significant efficiencies throughout our supply chains.  
[info@diesellogic.com](mailto:info@diesellogic.com)

Manufacturing  
Engineering  
Service  
R & D



## L&J Diesel Service

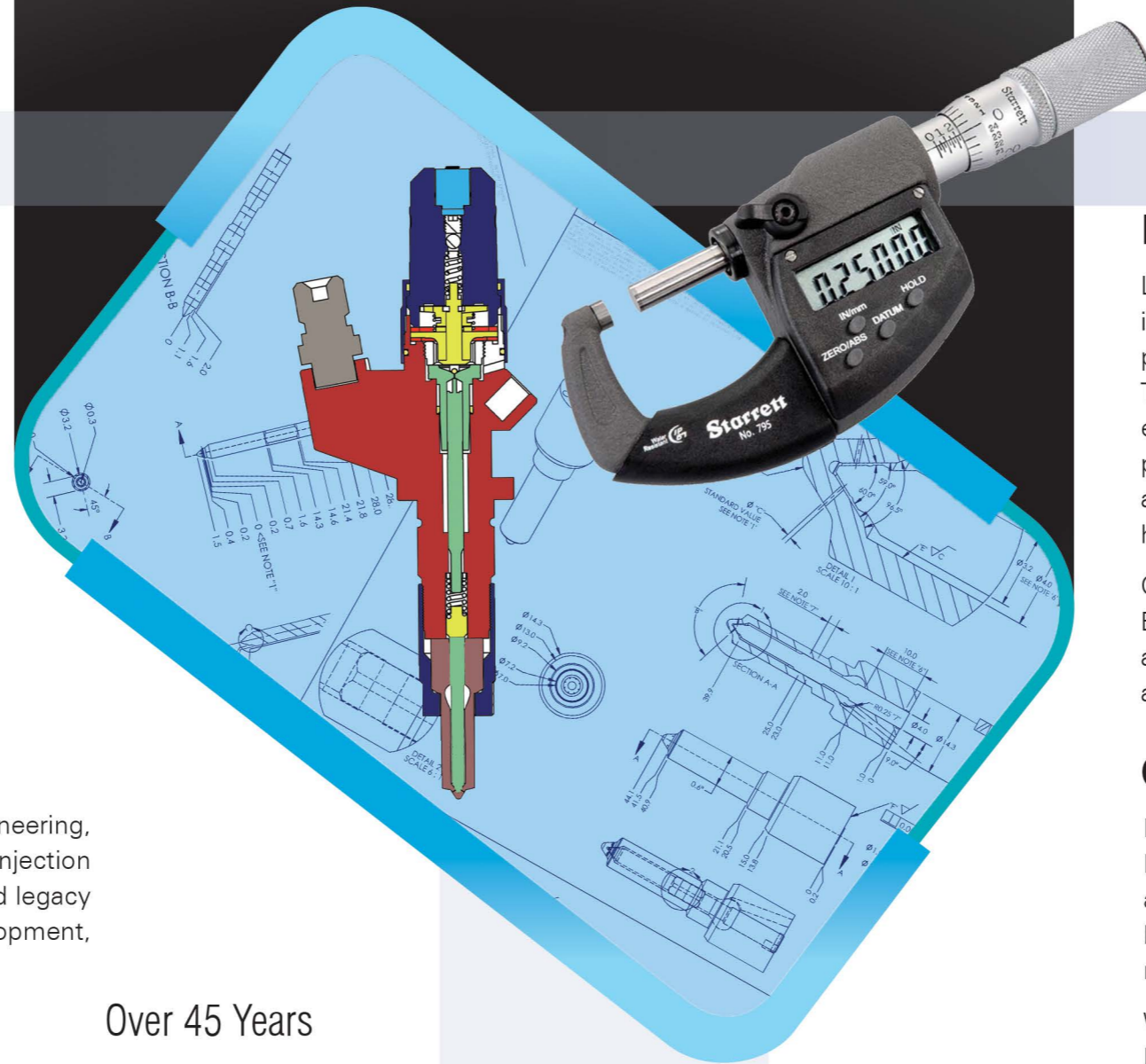
Since its inception, in 1968, L&J Diesel Service has steadily grown in size, customer base, and diversity in the Diesel Fuel Injection Industry. Present customers include governmental agencies, ecommerce consumers, and various OEMs. Additionally, our Jacksonville location offers a fully equipped Diesel engine diagnostic and repair facility focused around Fuel Systems.

We take pride in our commitment to innovation, superior craftsmanship, quality product line, customer service, and team of dedicated technical professionals. Moreover, L&J Diesel is an authorized dealer for top international fuel injection manufacturers.

## Pioneering in Test Equipment - Dieselogic

Our Dieselogic product line provides a full range of design, engineering, and development of test equipment, tooling of proprietary fuel injection components, as well as hardware and software for both new and legacy products. We have fiscal resources available for project development, manufacturing, and to meet production ramp-up requirements.

Incorporating patented cutting edge fiber optic technology, Dieselogic Electronic Test Equipment solutions exceed OEM standards for ease of use, precision and accuracy. Resulting in improved engine efficiency and emissions.



## Lean Remanufacturing

L&J Diesel's lean practices include the elimination of excess inventory, efficient facility utilization, lead-time reduction, increased productivity, enhanced teamwork, and distributive communication. The result is an unrivaled quality product that is continually evaluated. Our production quality standard remains in the two digit ppm range, with a positive customer feedback rating of approximately 99%. These figures reflect our goal of achieving the highest quality remanufactured products within the industry.

Our SAP Enterprise Resource Planning (ERP) software incorporates B2B integration for automated procurement, build sequencing, data and resource management, sustainability, customer satisfaction, and product quality assurance.

## Company Philosophy

L&J Diesel's state of the art technology ensures quality of the Dieselogic fuel injection product line. Furthermore, by offering an alternative to OEM products, we contribute to the health of small businesses, enhance free enterprise, and help strengthen the nation's economy.

We are committed to continual improvement of our Environmental Management System (EMS), and adhere to the highest possible principles of social and economic development. We are resolved to establishing long-term relationships with other committed companies.

Over 45 Years  
of Service and  
Remanufacturing  
Experience

R & D  
Service  
Engineering  
Manufacturing

**DIESELOGIC** .com

